



04584603
Edition 2
August 2009

Air Impact Wrench

280, 280-6 and 280-S6

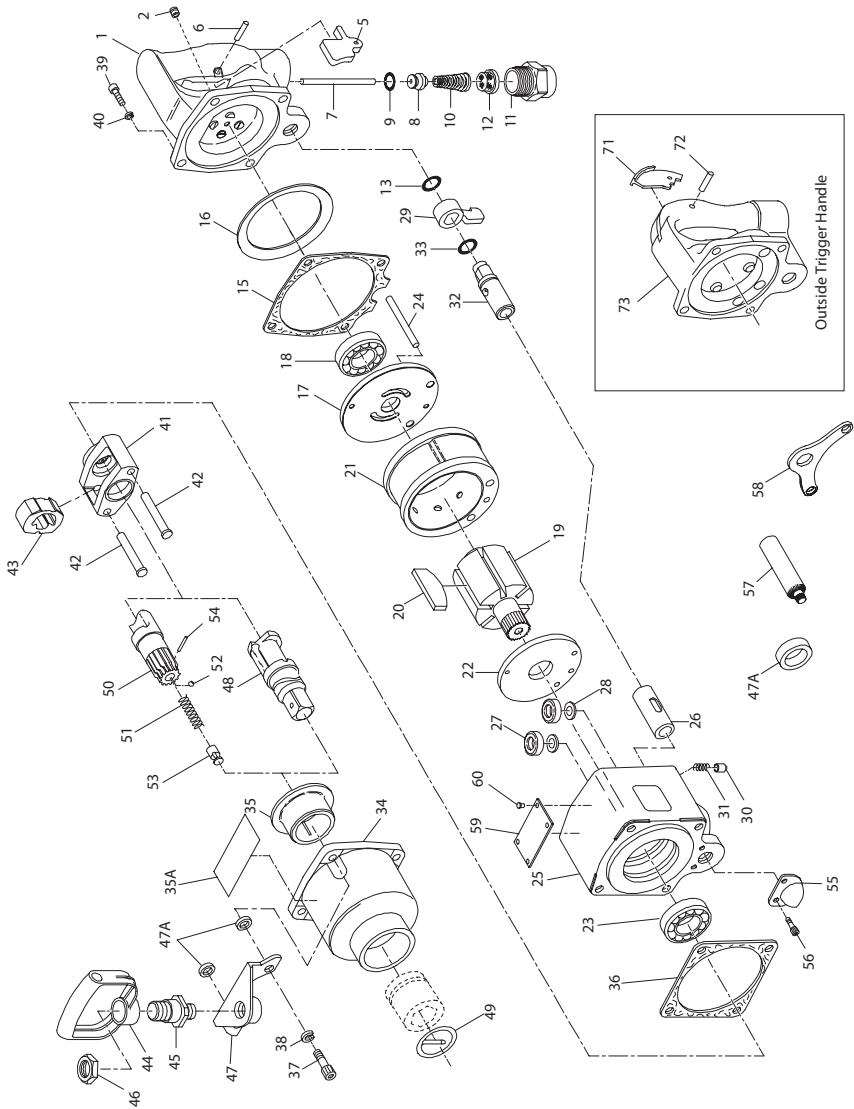
Parts Information



Save These Instructions

 **Ingersoll Rand**

280, 280-6 and 280-56 Air Impact Wrench Exploded - View



(Dwg. TPB946-5)

280, 280-6 and 280-S6 Air Impact Wrench - Parts List

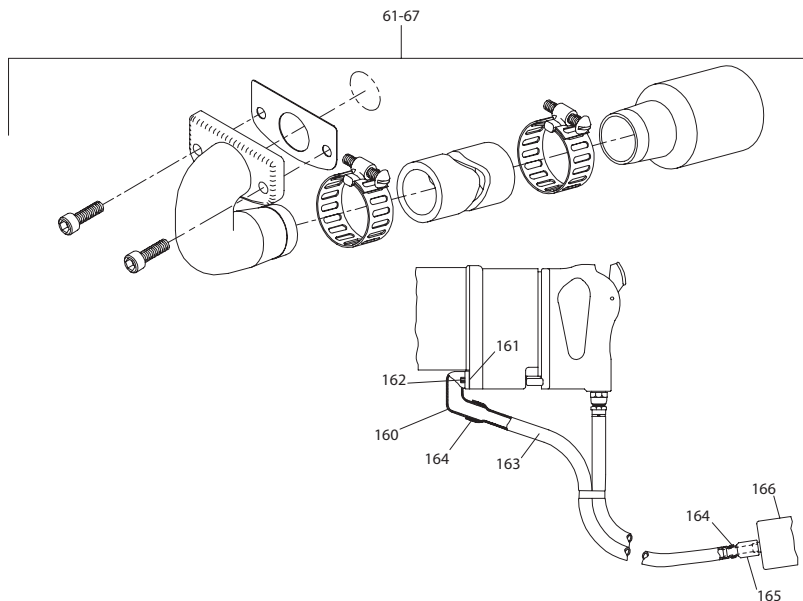
Item	Part Description	Part Number	Item	Part Description	Part Number
1	Trigger Handle Assembly		39	Handle Cap Screw (4)	510-638
	Inside (for 280 and 280-S6)	1712-A92	40	Cap Screw Lock Washer (4)	8U-58
	Outside (for 280-6)	280-A1	41	Hammer Frame Assembly	2934-A703
2	Grease Fitting	1305R-188	42	Hammer Pin (2)	2934-704
5	Trigger		43	Hammer	1712-724
	for 1712-A92 (280 and 280-S6)	834-93A	44	Side Spade Handle	T15-41
	for 280-A1 (280-6)	844-78	45	Side Spade Handle Stud	534-448
• 6	Trigger Pin		46	Side Spade Handle Stud Nut	107-73A
	for 1712-A92 (280 and 280-S6)	534-265	47	Side Spade Handle Bracket	2934-364
	for 280-A1 (280-6)	F02-15	47A	Side Spade Handle Bracket Spacer (2)	2934-140
7	Throttle Valve Plunger	2934-302	48	1" Square Drive Anvil	
8	Throttle Valve Assembly	2934-A50		Standard Length	1712-726
† 9	Throttle Valve Face	2934-159		6" Extended Length	280-726-6
† 10	Throttle Valve Spring	834-51	• 49	Retainer Ring (for 1" Square Drive Anvil)	RR10015S
11	Straight Inlet	845-565		50	Spline Drive Anvil
† 12	Air Strainer Screen	434-61	51	Standard Length	1712-A526
† 13	Reverse Valve Seal	R00BR-210		6" Extended Length	280-A514-6
† 15	Handle Gasket	2934-283	52	Retaining Plunger Spring	2940-231
16	Motor Clamp Washer	2934-207	53	Socket Retaining Ball	D04-280
17	Rear End Plate	2934-12	54	Retaining Ball Plunger	845-230
† 18	Rear Rotor Bearing	508-97	55	Plunger Retaining Pin	845-128
19	Rotor	2934-53	56	Exhaust Deflector	280-167
† 20	Vane Packet (set of 6 Vanes)	2934-42-6	57	Exhaust Deflector Screw (2)	W54-376
21	Cylinder	2934-3	58	Dead Handle	834-48
22	Front End Plate	2934-11	59	Horizontal Hanger	2934-366
† 23	Front Rotor Bearing	810-97	60	Nameplate	280-301
24	Cylinder Dowel	2934-98	61	Nameplate Screw (4)	C32-302
25	Motor Housing Assembly	1712-A40	62	Piped-Away Exhaust Kit	
26	Reverse Valve Bushing	2934-330S		with Muffler	2940-KM184
† 27	Air Port Gasket (2)	R44H-210A		without Muffler	2940-K184
28	Air Port Gasket Retainer (2)	2940-200	63	Exhaust Deflector Kit	2934-K23
29	Reverse Lever	2934-658A	64	Exhaust Deflector Assembly	2934-23A
† 30	Reverse Lock Plunger	4U-663B	65	Exhaust Baffle	2934-124
† 31	Reverse Lock Plunger Spring	4U-664	66	Gasket	2934-223
32	Reverse Valve Assembly	2934-A329	67	Silencer	2940P-311
† 33	Valve Seal	85H-167	68	Exhaust Deflector Screw (2)	R43F-104
34	Hammer Case Assembly	1712B-A727	*	Tune-up Kit (includes illustrated parts	
35	Hammer Case Bushing	2934-641		3, 9, 10, 12, 13, 15, 18, 20, 23, 27 (2),	280-TK2
35A	Hammer Case Label	WARNING-2-99		28 (2), 31, 33 and 36)	
36	Hammer Case Gasket	2934-36			
37	Hammer Case Cap Screw (4)	834-638			
38	Hammer Case LockWasher (4)	34U-58			

* Not Illustrated

† Indicates Tune-up Kit part.

• To keep downtime to a minimum, it is desirable to have on hand certain repair parts. We recommend that you stock one (pair or set) of each part indicated by a (+) for every four tools in service.

Piped Away Exhaust Kit Exploded - View



Piped Away Exhaust Kit - Parts List

Item	Part Description	Part Number	Item	Part Description	Part Number
	Piped-Away Exhaust Kit		162	Adapter Cap Screw (2)	AL-638
	with Muffler	2940-KM184	163	Exhaust Hose	R21-230
	without Muffler	2940-K184	164	Hose Clamp (2 for 2940-KM184;1 for 2940-K184)	R21-31
160	Exhaust Adapter	2940-167	165	Hose Connector (for 2940-KM184 only)	R21-185
161	Exhaust Adapter Gasket	2940-30	166	Muffler (for 2940-KM184 only)	R21-674

Parts and Maintenance

When the life of the tool has expired, it is recommended that the tool be disassembled, degreased and parts be separated by material so that they can be recycled.

Tool repair and maintenance should only be carried out by an authorized Service Center.

Refer all communications to the nearest **Ingersoll Rand** Office or Distributor.

Related Documentation

For additional information refer to:
 Product Safety Information Manual 04580916.
 Product Information Manual 04584918.

Manuals can be downloaded from www.ingersollrandproducts.com.

www.ingersollrandproducts.com

© 2009 **Ingersoll Rand** Company

IR Ingersoll Rand